

# GEMÜ 8258

## Electrically operated solenoid valve



### Features

- Low power consumption
- High flow rate
- Soft closing action
- Low minimum pressure differential
- Simple, compact construction
- Simple coil replacement without tools (Click-on®)
- Optional manual override
- Explosion protected solenoids acc. to ATEX available as an option
- Type examination up to DN 25 to DIN EN 60730-2-8
- Optional mounting bracket available (not pre-assembled)
- NPT thread available

### Description

The GEMÜ 8258 2/2-way servo assisted solenoid valve has a brass or stainless steel valve body. All media wetted parts are made of NBR, FKM, EPDM, brass or stainless steel. The valve is suitable for inert medium such as air, water and oil.

### Technical specifications

- **Media temperature:** -10 to 110 °C
- **Ambient temperature:** -10 to 50 °C
- **Operating pressure:** 0.1 to 16 bar
- **Nominal sizes:** DN 8 to 50
- **Connection type:** Threaded connection
- **Connection standards:** DIN | ISO | NPT
- **Body materials:** 1.4408, investment casting material | CW617N, brass
- **Supply voltages:** 110 V AC, 50/60 Hz | 230 V AC, 50/60 Hz | 24 V AC, 50/60 Hz | 24 V DC
- **Conformities:** EAC

Technical data depends on the respective configuration



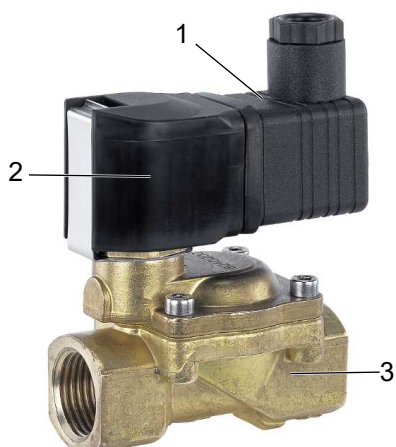
## Product line



	GEMÜ 8253	GEMÜ 8257	GEMÜ 8258	GEMÜ 8259
<b>Nominal sizes</b>	DN 8 to 50	DN 10	DN 8 to 50	DN 2 to 5
<b>Voltage</b>				
110 V AC, 50 Hz	-	-	-	●
110 V AC, 50/60 Hz	●	-	●	-
230 V AC, 50 Hz	-	●	-	●
230 V AC, 50/60 Hz	●	-	●	-
230 V AC, 60 Hz	-	●	-	-
24 V AC, 50 Hz	-	●	-	-
24 V AC, 50/60 Hz	●	-	●	-
24 V AC, 60 Hz	-	●	-	-
24 V DC	●	●	●	●
<b>Media temperature *</b>	-10 to 110 °C	-10 to 150 °C	-10 to 110 °C	-10 to 110 °C
<b>Operating pressure *</b>	0 to 16 bar	0 to 10 bar	0,1 to 16 bar	0 to 20 bar
<b>Connection types</b>				
Threaded connection	●	●	●	●
<b>Body material</b>				
1.4408, investment casting material	●	●	●	●
CW617N, brass	●	●	●	●

\* depending on version and/or operating parameters

## Product description



Item	Name	Materials
1	Plug	PA
2	Coil	Duresco NU 463V
3	Valve body	1.4408   CW617N
	Seal material	EPDM   FKM   NBR

## Order data

The order data provide an overview of standard configurations.

Please check the availability before ordering. Other configurations available on request.

## Order codes

1 Type	Code
Solenoid valve, servo assisted	8258

2 DN	Code
DN 8	8
DN 10	10
DN 15	15
DN 20	20
DN 25	25
DN 32	32
DN 40	40
DN 50	50

3 Body configuration	Code
2/2-way body	D

4 Connection type	Code
Threaded socket DIN ISO 228	1
Threaded socket NPT	31

5 Valve body material	Code
CW617N (brass)	12
1.4408, stainless steel	37

6 Seal material	Code
NBR	2
FKM	4
EPDM	14

7 Control function	Code
Normally closed (NC)	1
Normally open (NO)	2
Normally closed (NC), with manual override	S

8 Voltage	Code
110 V	110
230 V	230
24 V	24

9 Frequency	Code
50 - 60 Hz	50/60
DC	DC

10 Special version	Code
Without	
ATEX version	X

## Order example

Ordering option	Code	Description
1 Type	8258	Solenoid valve, servo assisted
2 DN	25	DN 25
3 Body configuration	D	2/2-way body
4 Connection type	1	Threaded socket DIN ISO 228
5 Valve body material	12	CW617N (brass)
6 Seal material	2	NBR
7 Control function	1	Normally closed (NC)
8 Voltage	230	230 V
9 Frequency	50/60	50 - 60 Hz
10 Special version		Without

## Technical data

### Medium

**Working medium:** Inert gaseous and liquid media which have no negative impact on the physical and chemical properties of the body and seal material.

**Max. permissible viscosity:** 25 mm<sup>2</sup>/s (cSt)  
Note: When used with contaminated media we recommend installing a strainer in front of the valve (on request)

### Temperature

**Media temperature:**

Seal material NBR (code 2):	-10 to 90 °C
Seal material EPDM (code 14):	0 to 110 °C
Seal material FKM (code 4):	-5 to 110 °C



**Ambient temperature:** -10 – 50 °C

**Storage temperature:** 0 – 40 °C

### Product compliance

**Approvals:** KTW (contact with drinking water) approval (≤ DN 25, gasket EPDM) (not for ATEX version)  
CSA approval (not for ATEX version)

**Explosion protection:** Special version X order code

**ATEX marking:** Gas:  II 2G Ex eb mb IIC T4 Gb  
Dust:  II 2D Ex mb tb IIIB T125°C-135°C Db

**Type examination certificate:** PTZ 16 ATEX 0011 X

### Mechanical data

**Installation position:** Optional

Weight:	DN 8	DN 10	DN 15	DN 20	DN 25	DN 32	DN 40	DN 50
	0.47	0.45	0.50	0.65	0.95	2.73	2.53	3.85

Weights in kg

**Protection class:** IP 65 (with plug)

### Pressure

Operating pressure:	DN	Seal material	
8 - 25	8 - 25	EPDM	0.3 – 16 bar
		NBR, FKM	0.1 – 16 bar
32 - 50	32 - 50	EPDM	0.3 – 10 bar
		NBR, FKM	0.1 – 10 bar

DN 32 - 50: Higher operating pressures on request.  
The operating pressure applies to free discharge conditions. In closed systems Δp between the inlet and outlet must be at least 0.1 bar.

Kv values:	DN 8	DN 10	DN 15	DN 20	DN 25	DN 32	DN 40	DN 50
	1.9	3.0	3.4	5.8	8.0	23.0	25.0	41.0

Kv values in m<sup>3</sup>/h

## Electrical data

### Power consumption:

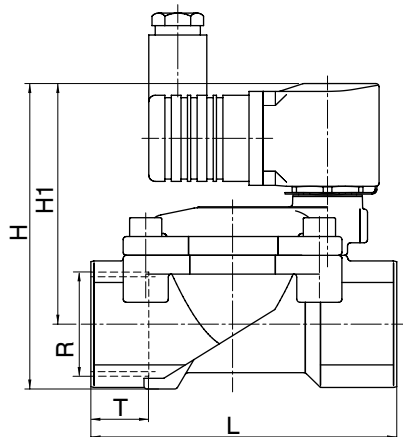
AC operation			
Pull in	DN 8 - 50	Normally closed (NC)	15 VA
	DN 8 - 25	Normally open (NO)	15 VA
	DN 32 - 50	Normally open (NO)	45 VA
Hold in	DN 8 - 50	Normally closed (NC)	12 VA
	DN 8 - 25	Normally open (NO)	12 VA
	DN 32 - 50	Normally open (NO)	35 VA
DC operation			
Pull in	DN 8 - 50	Normally closed (NC)	8 W
	DN 8 - 25	Normally open (NO)	8 W
	DN 32 - 50	Normally open (NO)	18 W
Hold in	DN 8 - 50	Normally closed (NC)	8 W
	DN 8 - 25	Normally open (NO)	8 W
	DN 32 - 50	Normally open (NO)	18 W

**Permissible voltage tolerance:** ±10 % to VDE 0580

**Duty cycle:** Continuous duty

**Wiring note:** Special wiring on request. When using electronic switches and additional wiring, carefully design out any potential residual currents upon installation.

## Dimensions



DN	L	Control function code <sup>1)</sup>				Connection type code <sup>2)</sup>			
		H	H1	H	H1	1		31	
				R	T	R	T		
8	60.0	78.5	67.0	78.5	67.0	G 1/4	12.0	1/4" NPT	10.0
10	60.0	78.5	67.0	78.5	67.0	G 3/8	12.0	3/8" NPT	10.5
15	67.0	81.0	67.0	81.0	67.0	G 1/2	14.0	1/2" NPT	13.5
20	80.0	88.0	71.5	88.0	71.5	G 3/4	16.0	3/4" NPT	14.0
25	95.0	97.5	77.0	97.5	77.0	G 1	18.0	1" NPT	17.0
32	132.0	124.5	95.5	142.0	113.0	G 1 1/4	20.0	1 1/4" NPT	17.0
40	132.0	124.5	95.5	142.0	113.0	G 1 1/2	22.0	1 1/2" NPT	17.0
50	160.0	142.5	108.0	160.0	125.5	G 2	24.0	2" NPT	17.5

Dimensions in mm

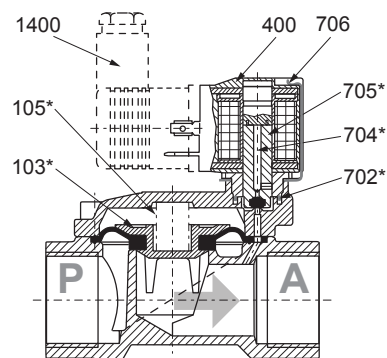
1) **Control function**

- Code 1: Normally closed (NC)
- Code 2: Normally open (NO)

2) **Connection type**

- Code 1: Threaded socket DIN ISO 228
- Code 31: Threaded socket NPT

## Spare parts



P = inlet

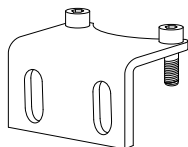
A = outlet

<b>103*</b>	Diaphragm
<b>105*</b>	Compression spring
<b>400</b>	Coil
<b>702*</b>	O-ring
<b>704*</b>	Compression spring
<b>705*</b>	Armature
<b>706</b>	Spring clip
<b>1400</b>	Plug (in an accessory pack)

All the parts marked \* are included in the wearing parts kit.  
When ordering spare parts, please state the complete valve order number.

## Accessories

### GEMÜ 8258 000 P



Mounting bracket including screws

### Ordering information

Nominal size	Item designation	Order no.
DN 8 - 15	8258 000 P 12	88293212
DN 20	8258 000 P 20	88293213
DN 25	8258 000 P 25	88293214
DN 32 - 40	8258 000 P 40	88293215
DN 50	8258 000 P 50	88293216



GEMÜ Gebr. Müller Apparatebau GmbH & Co. KG  
Fritz-Müller-Straße 6-8, 74653 Ingelfingen-Criesbach, Germany  
Phone +49 (0) 7940 1230 · info@gemue.de  
www.gemu-group.com