

GEMÜ 1035

Union end



Features

- High impact resistant, robust material for safe operation
- Physiologically harmless
- Time saving due to quick and easy assembly and dismantling of valves and flowmeters in the pipeline
- Compact design

Description

The GEMÜ 1035 union end can be used for GEMÜ plastic valves and flowmeters and is available in various materials (PVC-U, PP, PVDF) and nominal sizes (DN 10 to 100).

Technical specifications

- **Media temperature:** META-Daten fehlen to META-Daten fehlen °F
- **Ambient temperature:** META-Daten fehlen to META-Daten fehlen °F
- **Operating pressure :** META-Daten fehlen to META-Daten fehlen psi
- **Nominal sizes:** (DN 10) to (DN 100)
- **Connection types:** Union end
- **Body materials:** PP-H, natural | PVC-U | PVDF
- **Diaphragm materials:** EPDM | FKM

Technical data depends on the respective configuration



Availability

DN	Material		
	PVC-U (code 1)	PP (code 5)	PVDF (code 20)
10	X	X	X
15	X	X	X
20	X	X	X
25	X	X	X
32	X	X	X
40	X	X	X
50	X	X	X
65	X	X	-
80	X	X	-
100	X	X	-

Order data

The order data provide an overview of standard configurations.

Please check the availability before ordering. Other configurations available on request.

Order codes

1 Type	Code
Union end	1035

2 DN	Code
DN 10	10
DN 15	15
DN 20	20
DN 25	25
DN 32	32
DN 40	40
DN 50	50
DN 65	65
DN 80	80
DN 100	100

3 Form	Code
Straight through	D

4 Connection type	Code
Union end with DIN insert (socket)	7

5 Material	Code
PVC-U, grey	1
PP, grey	5
PVDF	20

6 Seal material	Code
FPM, O-ring	4
EPDM, O-ring	14

Order codes

Ordering option	Code	Description
1 Type	1035	Union end
2 DN	65	DN 65
3 Form	D	Straight through
4 Connection type	7	Union end with DIN insert (socket)
5 Material	1	PVC-U, grey
6 Seal material	14	EPDM, O-ring

Technical data

Medium

Working medium: Corrosive, inert, gaseous and liquid media which have no negative impact on the physical and chemical properties of the body and diaphragm material.

Temperature

Media temperature: PVC-U, grey (code 1): 10 to 60 °C
 PP, grey (code 5): 5 to 80 °C
 PVDF (code 20): -10 to 80 °C

Ambient temperature: META-Daten fehlen – META-Daten fehlen °F

Pressure

Operating pressure: META-Daten fehlen – META-Daten fehlen psi

Pressure/temperature correlation:

Material	Code	Temperature in °C (valve body)											
		-10	0	5	10	20	25	30	40	50	60	70	80
PVC-U	1	-	-	-	10.0	10.0	10.0	8.0	6.0	3.5	1.5	-	-
PP	5	-	-	10.0	10.0	10.0	10.0	8.5	7.0	5.5	4.0	2.7	1.5
PVDF	20	10.0	10.0	10.0	10.0	10.0	10.0	9.0	8.0	7.1	6.3	5.4	4.7

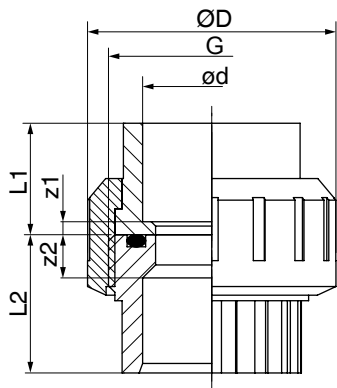
All pressures are gauge pressures.

The permissible operating pressure depends on the working medium temperature.

Data for extended temperature ranges on request. Please note that the ambient temperature and media temperature generate a combined temperature at the valve body which must not exceed the above values.

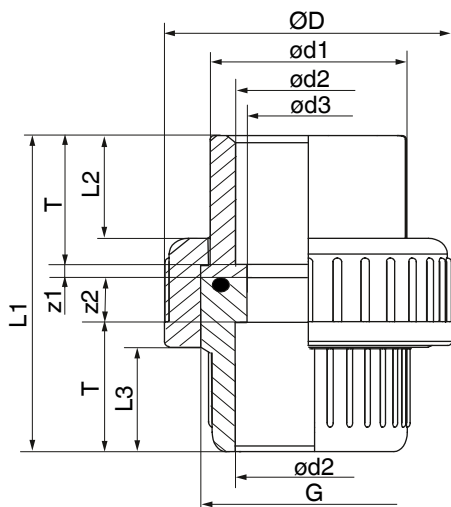
Dimensions

Material PVC-U, grey (code 1)



DN	ød	z1	z2	ØD	L1	L2	G
10	16	3	10	35	17	24	3/4"
15	20	3	10	43	19	26	1"
20	25	3	10	51	22	29	1¼"
25	32	3	10	58	25	33	1½"
32	40	3	12	72	29	39	2"
40	50	3	14	83	34	46	2¼"
50	63	3	18	100	41	58	2¾"

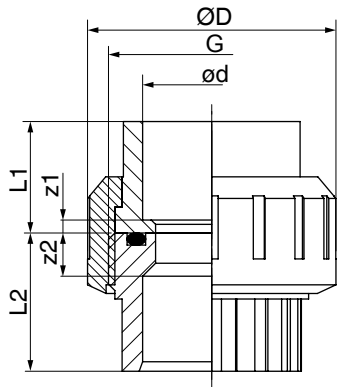
Dimensions in mm



DN	ød1	ød2	ød3	z1	z2	øD	L1	L2	L3	G	T
65	92.5	75	69	3	17	122	108	28	37	3½"	44
80	105	90	82	5	17	139	124	36	43	4"	51
100	130	110	102	5	11	164	138	42	45	5"	61

Dimensions in mm

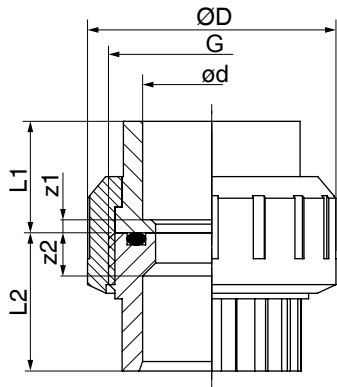
Material PP, grey (code 5)



DN	ød	z1	z2	ØD	L1	L2	G
10	16	3	9	35	18	24	3/4"
15	20	3	10	48	19	26	1"
20	25	3	10	58	21	28	1¼"
25	32	3	10	65	23	30	1½"
32	40	3	12	79	25	34	2"
40	50	3	14	91	28	39	2¼"
50	63	3	18	111	32	47	2¾"
65	75	3	18	135	36	51	S107.5 x 3.6
80	90	5	18	158	42	55	S127.5 x 3.6
100	110	5	10	188	49	54	S152.5 x 3.6

Dimensions in mm

Material PVDF (code 20)



DN	ød	z1	z2	ØD	L1	L2	G
10	16	3	9	35	18	24	3/4"
15	20	3	10	43	19	26	1"
20	25	3	10	53	21	28	1¼"
25	32	3	10	60	23	30	1½"
32	40	3	12	74	25	34	2"
40	50	3	14	82	28	39	2¼"
50	63	3	18	100	32	47	2¾"

Dimensions in mm



GEMÜ Gebr. Müller Apparatebau GmbH & Co. KG
Fritz-Müller-Straße 6-8, 74653 Ingelfingen-Criesbach, Germany
Phone +49 (0) 7940 1230 · info@gemue.de
www.gemu-group.com