

GEMÜ 423

Motorized butterfly valve



Features

- Low weight
- Adjustable end positions by means of microswitches
- Corrosion resistant plastic body
- Simple installation with union nut
- Compact design

Description

The GEMÜ 423 butterfly valve has a low maintenance motorized quarter turn actuator. A manual override and an optical position indicator are integrated as standard.

Technical specifications

- **Media temperature :** 0 to 60 °C
- **Ambient temperature:** -10 to 60 °C
- **Operating pressure :** 0 to 6 bar
- **Nominal sizes:** DN 15 to 50
- **Connection types:** Union end
- **Connection standards:** BS | DIN
- **Housing materials:** PVC-U, grey
- **Liner materials:** EPDM | FKM
- **Disc materials:** PVDF
- **Supply voltage:** 12 - 24 V AC/DC | 12 V DC | 24 - 240 V AC/DC | 24 V AC, 50/60 Hz | 24 V DC
- **Operating time 90°:** 4 to 100 s
- **Protection class:** IP 65. 66. 67. 68
- **Conformities:** CSA | EAC

Technical data depends on the respective configuration



Product line



GEMÜ K410

GEMÜ 417

GEMÜ 410

GEMÜ 423

Operation

With bare shaft	●	-	-	-
Manual	-	●	-	-
Pneumatic	-	-	●	-
Motorized	-	-	-	●
Nominal sizes	DN 15 to 50	DN 15 to 50	DN 15 to 50	DN 15 to 50
Media temperature	0 to 60 °C	0 to 60 °C	0 to 60 °C	0 to 60 °C
Operating pressure	0 to 6 bar	0 to 6 bar	0 to 6 bar	0 to 6 bar
Connection types				
Union end	●	●	●	●
Conformities				
CSA	-	-	-	●
EAC	●	●	●	●

Motorized actuators GEMÜ, J+J



	GEMÜ 9428	GEMÜ J4C
Manufacturer	GEMÜ	J+J
Manufacturer type	9428	J4C
Torques	6 to 55 Nm	20 to 300 Nm
Duty cycle	100 %	75 %
Heating	No	Yes
Voltage		
12 V AC, 50/60 Hz	●	-
12 V DC	●	●
24 - 240 V AC/DC	-	●
24 V AC, 50/60 Hz	●	-
24 V DC	●	-
Protection class	IP 65, IP 67	IP 67
Ambient temperature	-10 to 60 °C	-20 to 70 °C
Housing materials		
Polyamide (PA6)	-	●
PP	●	-
Versions		
Limit switches	●	●
ON/OFF actuator	●	-
Optional battery pack	-	●
Optional positioner	-	●
Optional positioning actuator	-	●
Optionally 3 positions	-	●

Comparison of actuator applications



GEMÜ 9428

GEMÜ J4C

	GEMÜ 9428	GEMÜ J4C
Range of functions		
Use in non-aggressive environment (up to C3)	●	●
Use in aggressive environment (C5)	●	●
Use in protected outdoor areas	●	●
Use in unprotected outdoor areas	●	●
Applications with many/frequent cycle duties	●	●
Fail-safe option	●	●
Positioning application	●	●
Industrial sectors		
Chemical processes	●	●
Surface finishing	●	●
Water treatment	●	●
Mechanical engineering	●	●
Power generation and environmental systems	●	●
Food processing technology	●	●
Semiconductor	●	●
Medical systems	●	●
Pharmaceutical industry	●	●

Product description



Item	Name	Material
1	Valve body	PVC-U, grey
2	Pipe connections	PVC-U, grey
3	Housing base	Actuator versions 1006, 1015, 2006, 2015: PP + 30 % glass fibre reinforced Actuator version 3035: PP + 20 % glass bead reinforced
4	Connection for manual override	
5	Optical position indicator	PP-R natural
6	Housing cover	Actuator versions 1006, 1015, 2006, 2015: PPE + 30 % glass fibre reinforced Actuator version 3035: PP + 20 % glass bead reinforced

Actuator availability

Availability - GEMÜ 9428

Actuator version Code	Control module Code ¹⁾	Voltage/Frequency				
		12 V DC (code B1)	12 V AC (code B4)	24 V DC (code C1)	24 V AC (code C4)	100-250 V AC (code O4)
1006, 3006	A0, AE	X	X	X	X	-
1015, 3015	A0, AE	X	-	X	-	-
2006	A0, AE	-	-	-	-	-
2015	A0, AE	-	X	-	X	-
3035	A0, AE	-	-	X	-	-
3055	A0, AE	-	-	X	-	-

1) **Control module**

Code A0: ON/OFF actuator

Code AE: OPEN/CLOSE control, 2 additional potential-free limit switches, Class A (EN15714-2)

Availability - J4C actuators

DN	Actuator version ¹⁾
15 – 32	J4C20
40, 50	J4C35

1) **Actuator version**

Code J4C20: J+J actuator, motorized, type J4C, operating time 10 s, torque 20 Nm, heating, IP 67

Code J4C35: J+J actuator, motorized, type J4C, operating time 10 s, torque 35 Nm, heating, IP 67

See also

 [Actuator availability](#) [▶ 6]

Order data

Butterfly valve with GEMÜ actuator

The order data provide an overview of standard configurations.

Please check the availability before ordering. Other configurations available on request.

Order codes

1 Type	Code
Butterfly valve, motorized	423

2 DN	Code
DN 15	15
DN 20	20
DN 25	25
DN 32	32
DN 40	40
DN 50	50

3 Body configuration	Code
2/2-way body	D

4 Connection type	Code
Union end with DIN insert (socket)	7
Union end with inch insert - BS (socket)	33

5 Body material	Code
PVC-U, grey	1

6 Shut-off seal material	Code
FPM	4
EPDM	14

7 Voltage/Frequency	Code
12 VDC	B1
12 V 50/60 Hz	B4

7 Voltage/Frequency	Code
24 VDC	C1
24 V 50/60 Hz	C4

8 Control module	Code
On/Off actuator	A0
On/Off actuator, 2 additional potential-free limit switches, Class A (EN15714-2)	AE

9 Actuator version	Code
GEMÜ actuator, motorized, size 1, operating time 4 s, torque 6 Nm, supply voltage B1, C1, B4, C4	1006
GEMÜ actuator, motorized, size 1, operating time 11 s, torque 15 Nm, supply voltage B1, C1	1015
GEMÜ actuator, motorized, size 2, operating time 11 s, torque 15 Nm, supply voltage B4, C4, O4	2015
GEMÜ actuator, motorized, size 3, operating time 15 s, torque 35 Nm, supply voltage C1, O4	3035

10 Special specification	Code
Parallel operation of several actuators	6410
1 Hirschmann connector N6R	6598
2 Harting connectors Han 7D	6722
Without	

Order example

Ordering option	Code	Description
1 Type	423	Butterfly valve, motorized
2 DN	25	DN 25
3 Body configuration	D	2/2-way body
4 Connection type	7	Union end with DIN insert (socket)
5 Body material	1	PVC-U, grey
6 Shut-off seal material	14	EPDM
7 Voltage/Frequency	C1	24 VDC
8 Control module	A0	On/Off actuator
9 Actuator version	1006	GEMÜ actuator, motorized, size 1, operating time 4 s, torque 6 Nm, supply voltage B1, C1, B4, C4
10 Special specification		Without

Butterfly valve with J+J actuator

The order data provide an overview of standard configurations.

Please check the availability before ordering. Other configurations available on request.

Order codes

1 Type	Code
Butterfly valve, motorized	423
2 DN	Code
DN 15	15
DN 20	20
DN 25	25
DN 32	32
DN 40	40
DN 50	50
3 Body configuration	Code
2/2-way body	D
4 Connection type	Code
Union end with DIN insert (socket)	7
Union end with inch insert - BS (socket)	33
5 Body material	Code
PVC-U, grey	1
6 Shut-off seal material	Code
FPM	4
EPDM	14
7 Voltage/Frequency	Code
12 VDC	B1
24-240V AC/DC	U5
8 Control module	Code
On/Off actuator, 2 additional potential-free limit switches, Class A (EN15714-2)	AE
On/Off actuator, 2 additional potential-free limit switches, BSR battery pack (NC)	AE1
On/Off actuator, 2 additional potential-free limit switches, BSR battery pack (NO)	AE2
On/Off actuator, potentiometer output, Class A (EN15714-2)	AP
Control actuator, external set value 0–10 VDC	E1
Control actuator, external set value 0/4–20 mA	E2
9 Actuator version	Code
J+J actuator, motorized, type J4C, operating time 10 s, torque 20 Nm, heating, IP 67	J4C20
J+J actuator, motorized, type J4C, operating time 10 s, torque 35 Nm, heating, IP 67	J4C35
10 Special specification	Code
Without	

10 Special specification	Code
Media wetted area cleaned to ensure suitability for paint applications, parts sealed in plastic bag	0101
Media wetted parts cleaned for high purity media and packed in plastic bag	0104
Short insert, material PE, PN 10, (butt welding)	1094
Insert PP, for butt welding	1146
K-no.1060, K-no. 0101, 1060 - insert made of PP 0101 - media wetted area cleaned to ensure suitability for paint applications, parts sealed in plastic bag	1174

Order example

Ordering option	Code	Description
1 Type	423	Butterfly valve, motorized
2 DN	25	DN 25
3 Body configuration	D	2/2-way body
4 Connection type	7	Union end with DIN insert (socket)
5 Body material	1	PVC-U, grey
6 Shut-off seal material	14	EPDM
7 Voltage/Frequency	U5	24-240V AC/DC
8 Control module	AE	On/Off actuator, 2 additional potential-free limit switches, Class A (EN15714-2)
9 Actuator version	J4C20	J+J actuator, motorized, type J4C, operating time 10 s, torque 20 Nm, heating, IP 67
10 Special specification		Without

Butterfly valve technical data

Medium

Working medium: Corrosive, inert, gaseous and liquid media which have no negative impact on the physical and chemical properties of the body, disc and seal material. The product is only suitable for use with fluids of group 2 according to the Pressure Equipment Directive.

Temperature

Media temperature: 0 – 60 °C

Ambient temperature: -10 – 60 °C

Storage temperature: 0 – 40 °C

Pressure

Operating pressure: 0 – 6 bar

Kv values:

DN	Kv values
15	7
20	13
25	17
32	33
40	53
50	74

Kv values in m³/h

Pressure/temperature correlation:

Material	Code	Temperature in °C (valve body)						
		10	20	25	30	40	50	60
PVC-U	1	6.0	6.0	6.0	6.0	6.0	3.5	1.5

All pressures are gauge pressures.

The permissible operating pressure depends on the working medium temperature.

Product compliance

Machinery Directive: 2006/42/EC

EMC Directive: 2014/30/EU

Low Voltage Directive: 2014/35/EU

Mechanical data

Torques:

DN	Torques
15	6.0
20	6.0
25	6.0
32	8.0
40	20.0
50	21.0

Torques in Nm

Weight:	DN	Weight
		15
	20	390
	25	400
	32	700
	40	1072
	50	1200

Weight in g

Technical data of actuator

GEMÜ 9428 actuators

Mechanical data

Weight: GEMÜ 9428

Supply voltage 12 V / 24 V:	1.0
Actuator version 3035:	2.4

Weights in kg

Electrical data

Electrical protection: Motor protective system by customer

Electrical protection class: I (DIN EN 61140)
Continuous duty

Electrical connection

Electrical connection type: Cable connection PG 13.5
Binder RD24 flange plug series 693, number of poles: 6+PE, IP67 (GEMÜ 3006, 3015)

Cable diameter: 7.5 – 12.5 mm

Max. cross section of wire: 1.5 mm²

Recommended motor protection:	Voltage	12 V DC	24 V DC
	Motor protection switch type		Siemens 3RV 1011-1CA10
Set current		2.20	1.70

Current data in A

Rated voltage: 12 V / 24 V AC or DC (± 10 %)

Rated frequency: 50/60 Hz (at AC rated voltage)

Technical data of actuator

Max. current at start up:	Actuator version	12 V DC	12 V AC	24 V DC	24 V AC	100-250 V AC
		Code B1	Code B4	Code C1	Code C4	Code O4
	1006, 3006	30.0	30.0	30.0	30.0	-
	1015, 3015	30.0	-	30.0	-	-
	2006	-	-	-	-	-
	2015	-	30.0	-	30.0	-
	3035	-	-	30.0	-	-
	3055	-	-	40.0	-	-

Power consumption in W

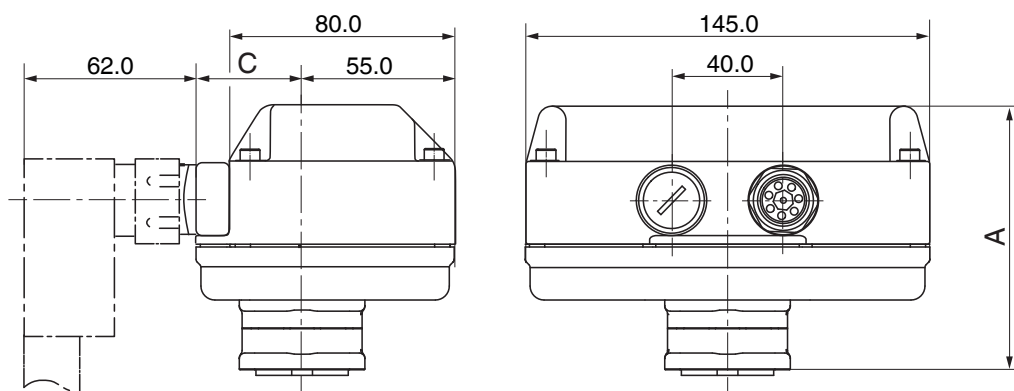
J+J actuators

Note: For technical data see manufacturer's original datasheets

Dimensions

Actuator

Actuator version 1006, 1015, 2015

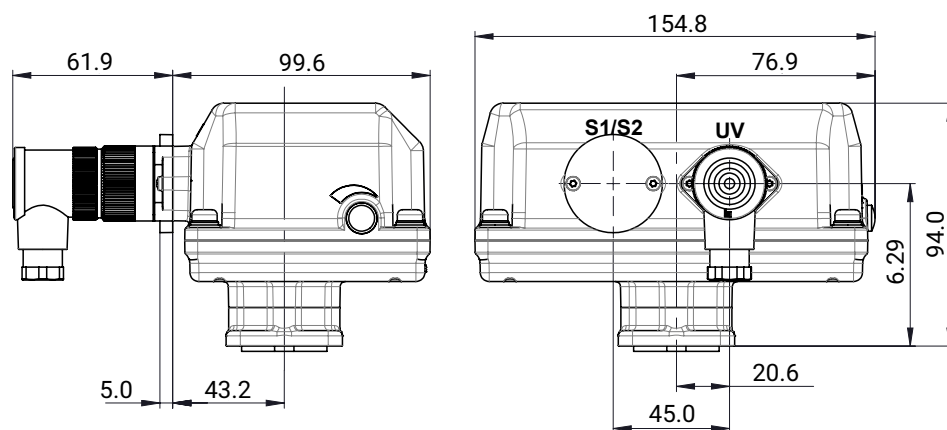


Actuator version	A	C
1006, 1015	94.0	49.0
2015	122.0	53.0

Dimensions in mm

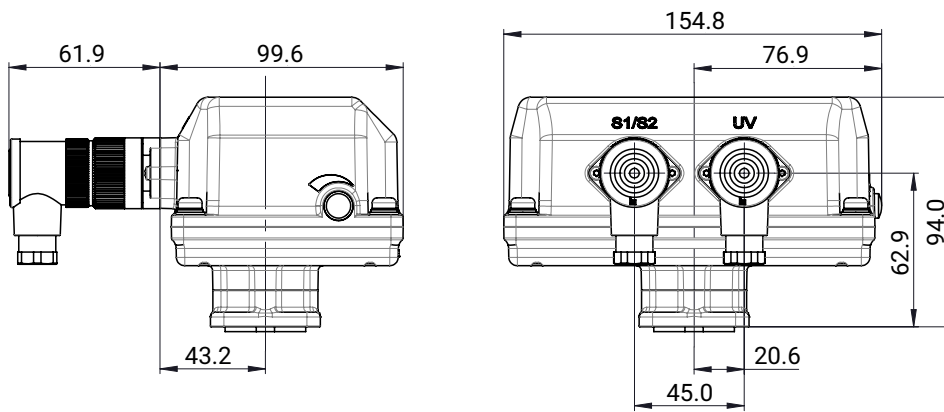
Actuator version 3006, 3015

ON/OFF actuator (control module code A0)



Dimensions

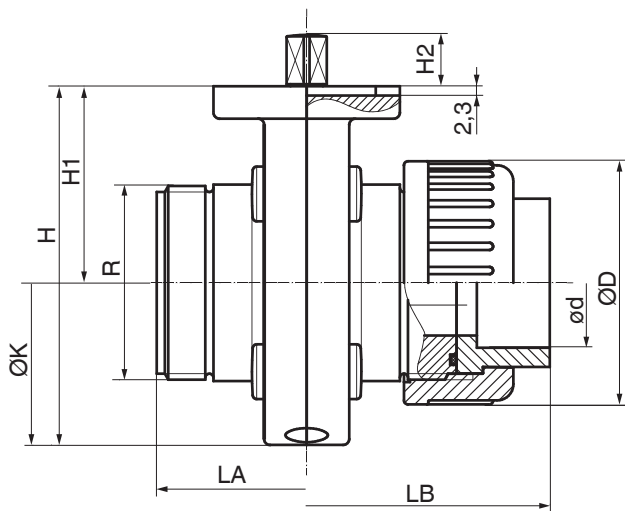
OPEN/CLOSE control, 2 additional potential-free limit switches (control module code AE)



Dimensions in mm

Third-party actuators

For more detailed information on third-party actuators, refer to the manufacturers' documentation

Body

DN	LA	LB	H	H1	H2	øD	ød	R	øK
15	74.0	114.0	89.0	48.5	13.0	60.0	20.0	G 1 1/2	80.0
20	74.0	118.0	89.0	48.5	13.0	60.0	25.0	G 1 1/2	80.0
25	74.0	124.0	89.0	48.5	13.0	60.0	32.0	G 1 1/2	80.0
32	80.0	138.0	106.0	57.5	13.0	74.0	40.0	G 2	96.0
40	94.0	162.0	112.0	58.0	13.0	83.0	50.0	G 2 1/4	108.0
50	106.0	188.0	137.0	74.0	13.0	103.0	63.0	G 2 3/4	126.0

Dimensions in mm



GEMÜ Gebr. Müller Apparatebau GmbH & Co. KG
Fritz-Müller-Straße 6-8, 74653 Ingelfingen-Criesbach, Germany
Phone +49 (0) 7940 1230 · info@gemue.de
www.gemu-group.com